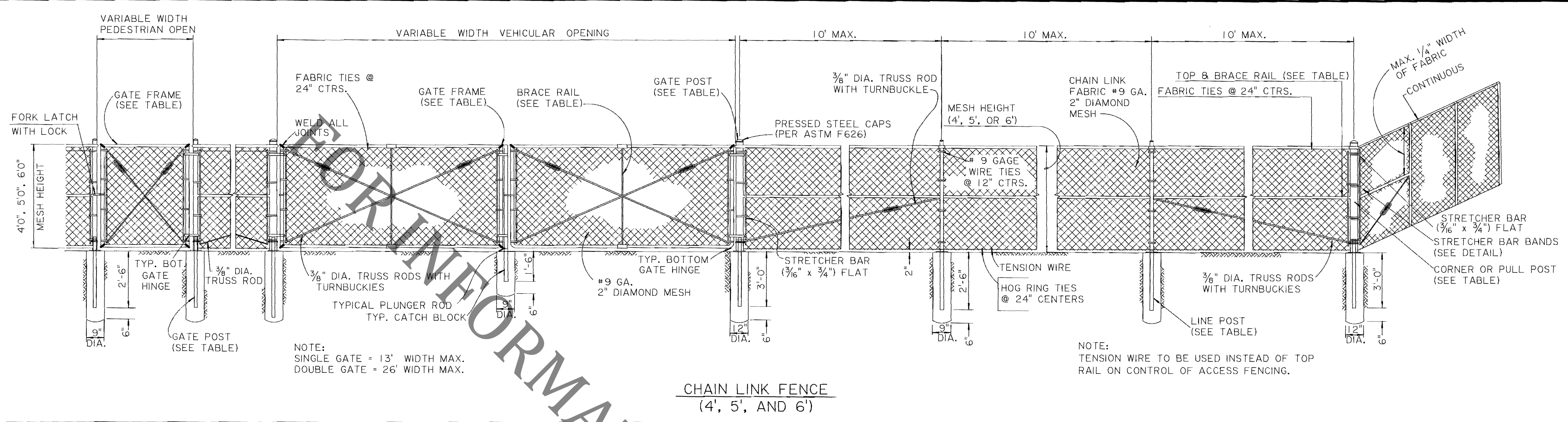
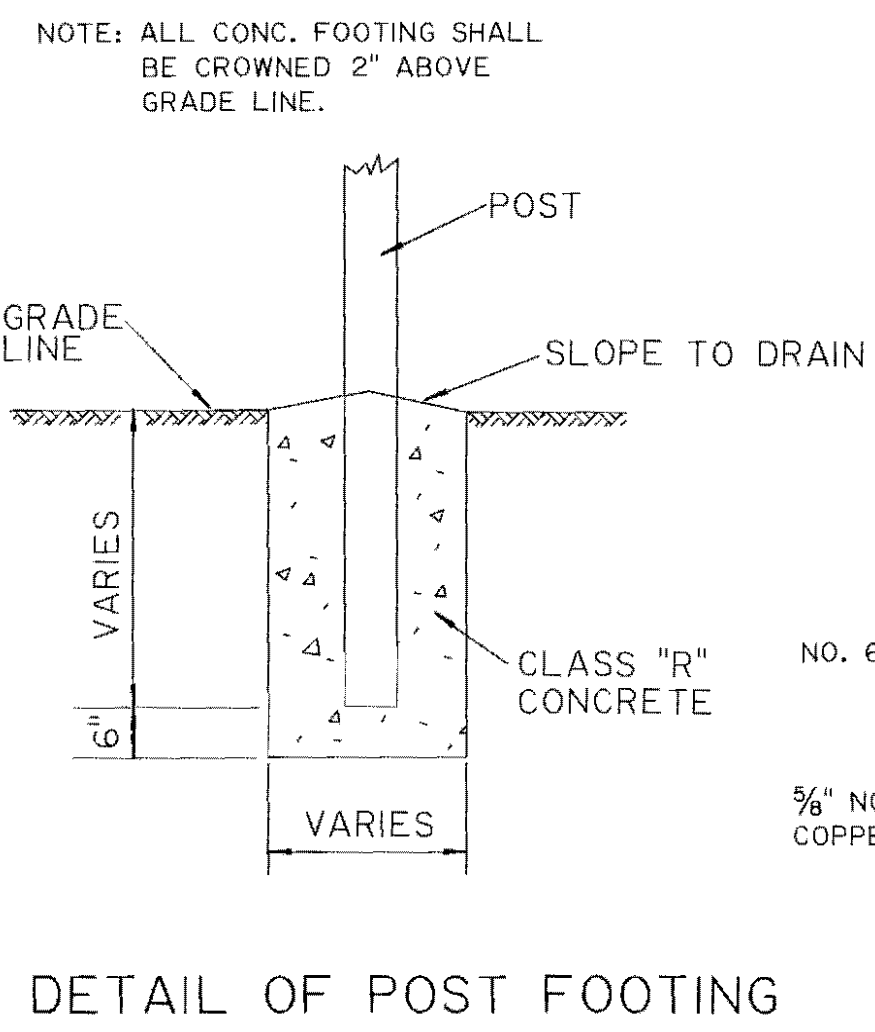


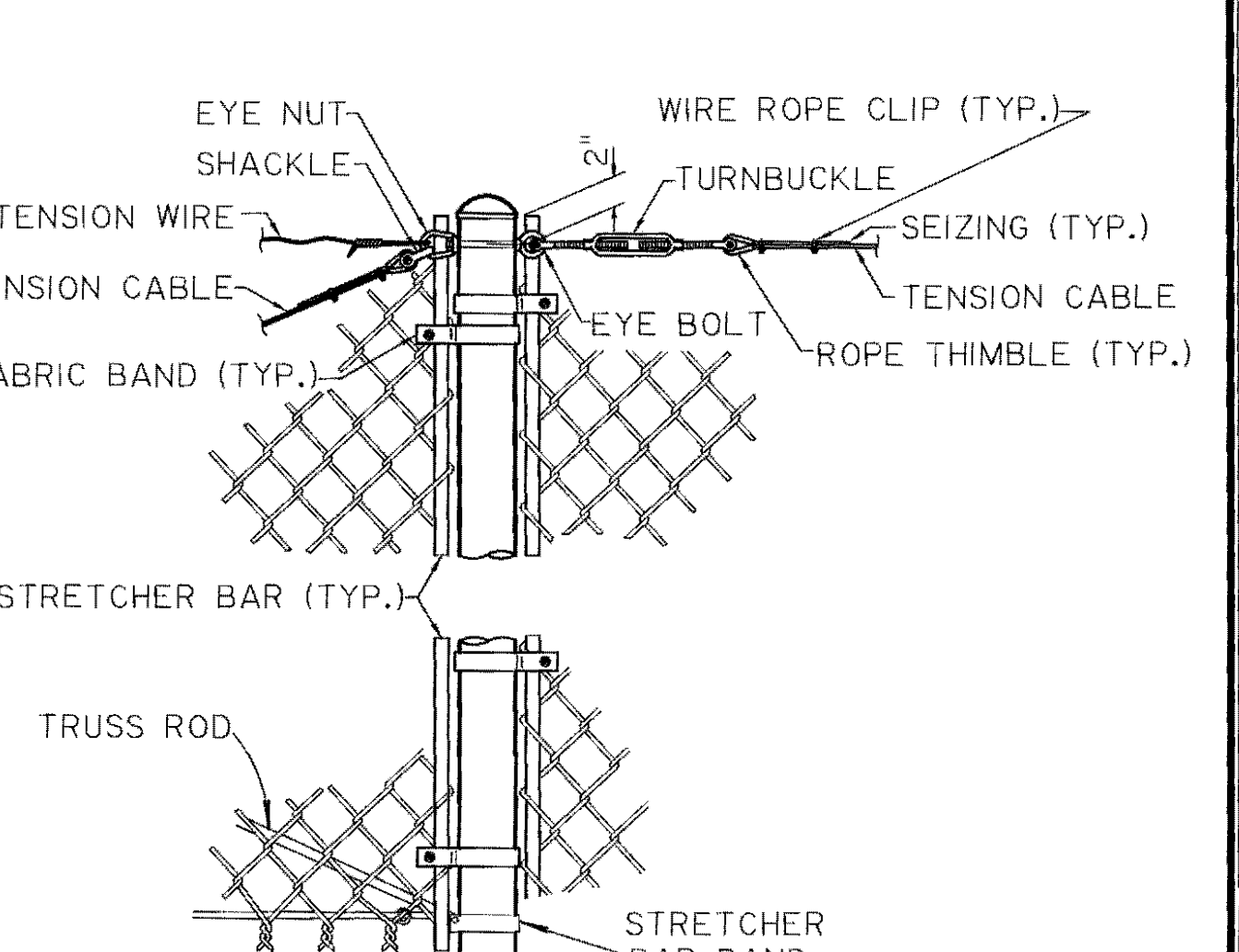
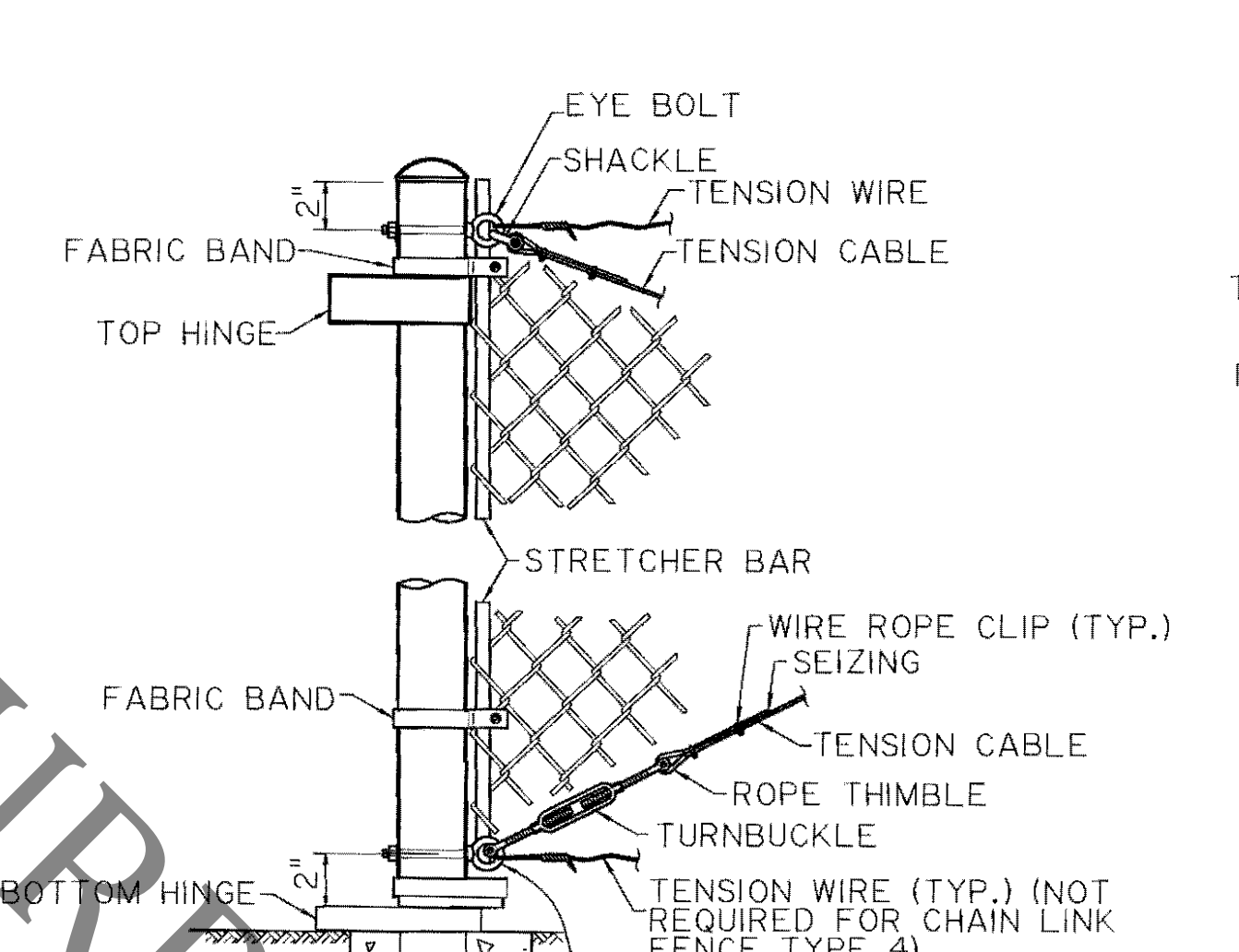
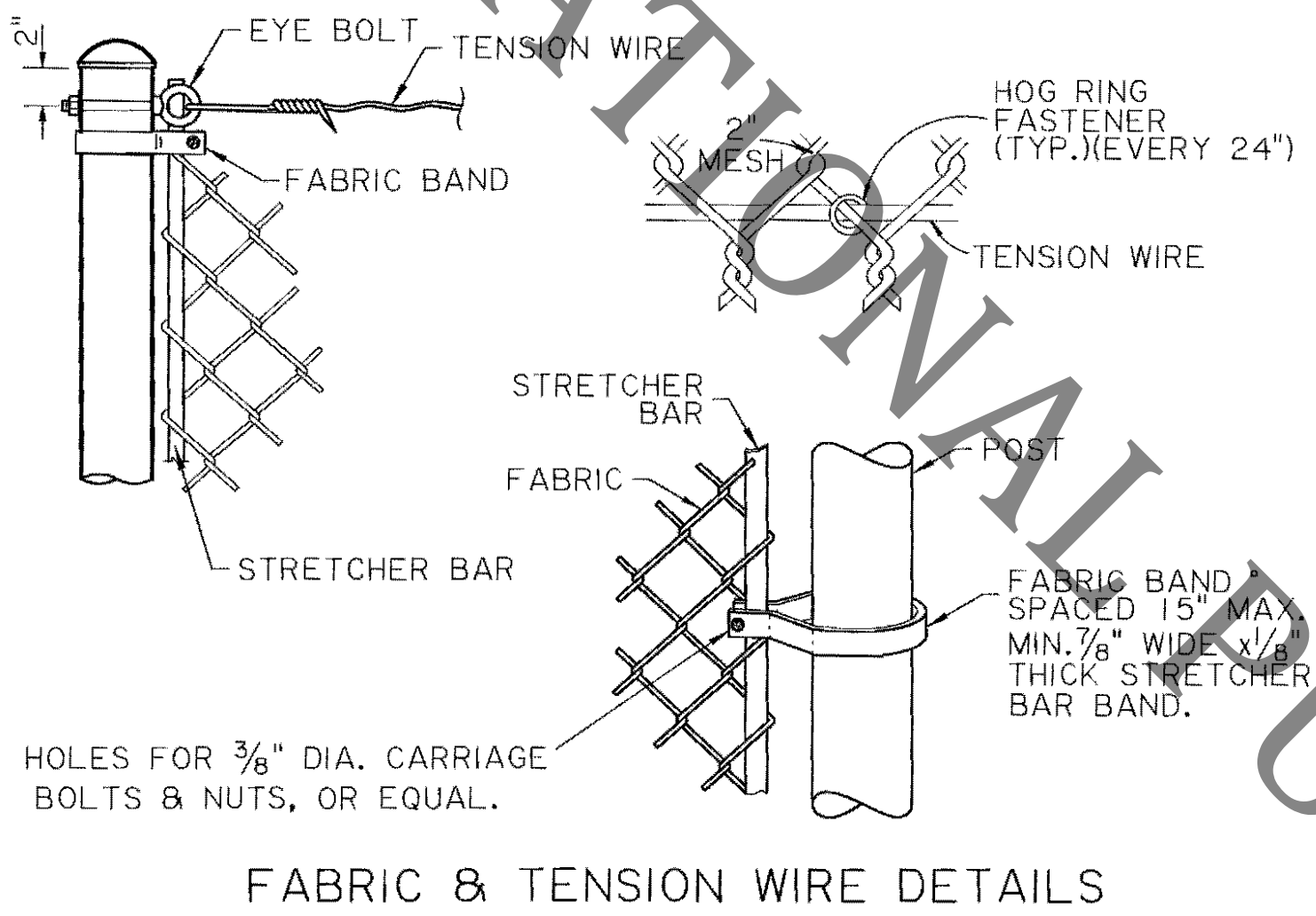
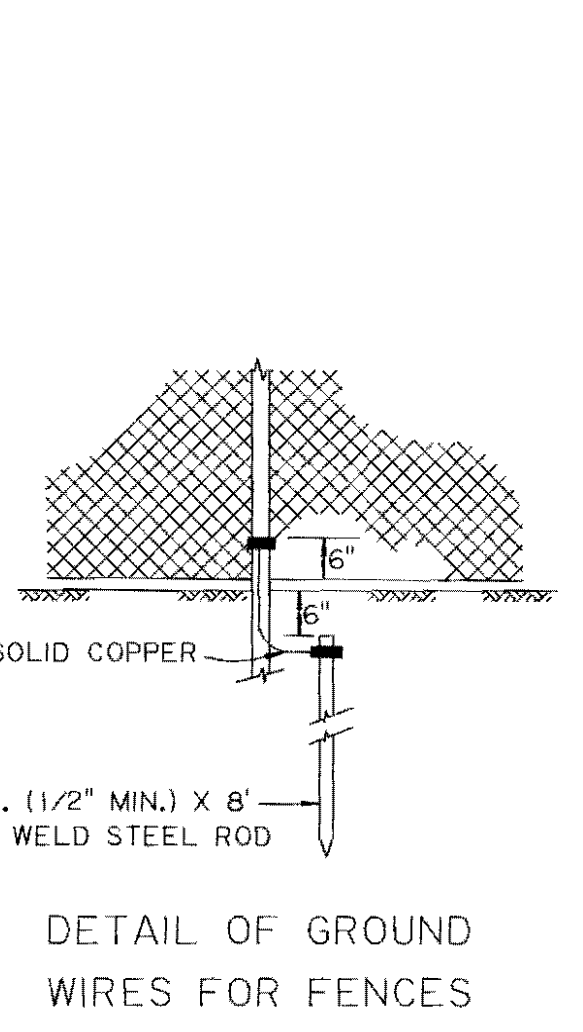
03-NOV-2011 08:09



CHAIN LINK FENCE (4', 5', AND 6')



DETAIL OF POST FOOTING

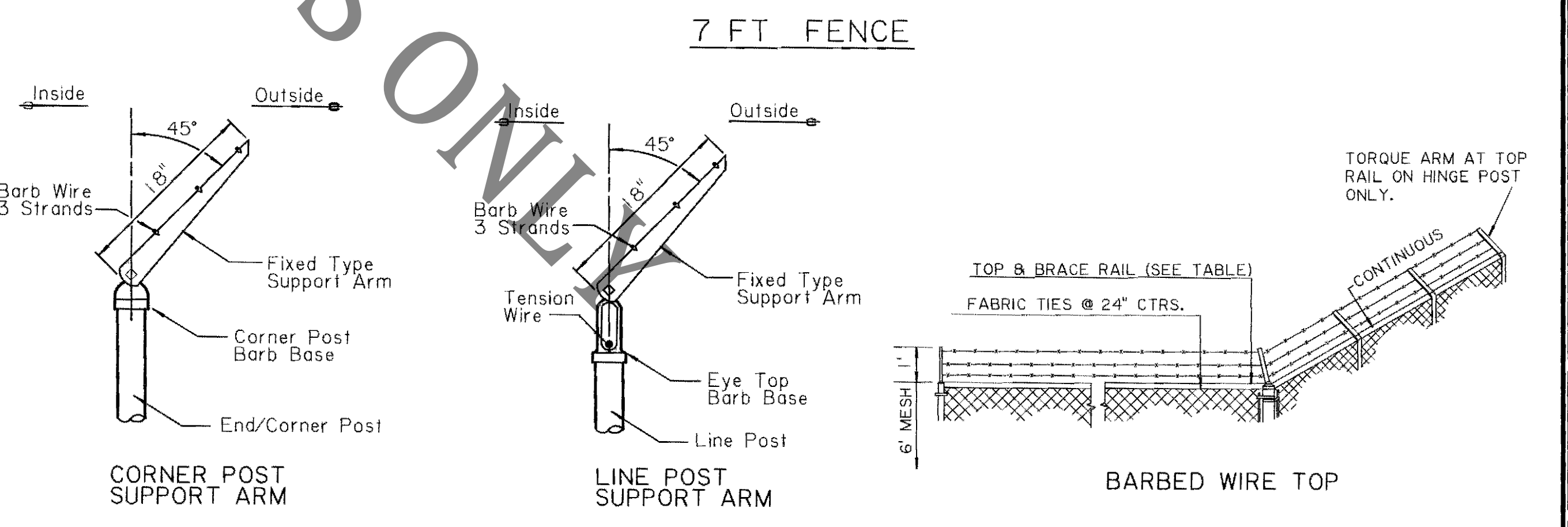


NOTES:

- THE FENCE INSTALLATION AND DETAILS SHOWN ARE TYPICAL AND MAY VARY IN ACCORDANCE WITH DIFFERENT MANUFACTURERS, PROVIDED THEY MEET THE STANDARD SPECIFICATIONS.
- TYPICAL INSTALLATION PLAN MAY VARY AS SHOWN ON THE PLANS OR AS DIRECTED BY THE ENGINEER. LOCATION OF GATES TO BE SHOWN ON PLANS.
- GROUNDING ROD ASSEMBLIES ARE TO BE INSTALLED IN ACCORDANCE WITH THE STANDARD SPECIFICATIONS.
- ALL BOLTS TO BE UPSET TO DISCOURAGE VANDALISM.
- ALL CONNECTION METHODS TO BE APPROVED BY THE PROJECT ENGINEER.
- LOCATION OF GATES TO BE SHOWN ON PLANS.
- LATERAL FENCE TO BE SAME CONSTRUCTION AS FRONTAL FENCE.
- CONTROL OF ACCESS FENCE SHALL BE 5 FT IN HEIGHT UNLESS OTHERWISE NOTED IN THE PLANS.
- AT EACH LOCATION WHERE AN ELECTRIC TRANSMISSION, DISTRIBUTION, OR SECONDARY LINE CROSSES A FENCE, THE CONTRACTOR SHALL FURNISH AND INSTALL A GROUND CONFORMING TO ARTICLE 250 OF THE NATIONAL ELECTRIC CODE. A GROUND SHALL ALSO BE INSTALLED AT A MAXIMUM SPACING OF 500 FT. ALONG THE FENCE. GROUNDING WILL NOT BE PAID FOR SEPARATELY BUT SHALL BE INCLUDED IN THE COST OF THE FENCE.
- SEE AASHTO M-181 FOR ADDITIONAL REQUIREMENTS.

POST & RAIL TABLE

	STANDARD		ALTERNATES			
	OUTSIDE DIA. (INCHES)	LBS. (PER LIN.FT.)	DIMENSION (INCHES)	SECTION	LBS. (PER LIN.FT.)	ASTM F 1043 GROUP
LINE POST	2 3/8	3.65	2.375	ROUND	3.12	
			2.25 X 1.70	H	3.26	III
			2.25 X 1.70	HEAVY C	2.78	II
BRACE RAIL	1 5/8	2.27	1.660	ROUND	1.84	
			1.875 X 1.625	STD. C	2.40	II
COR. POST	2 7/8	5.79	2.875	ROUND	4.64	
GATE POST	4.0	9.10	3.500	ROUND	5.71	IC
GATE FRAME	1 7/8	2.72	1.900	ROUND	2.28	



IP\_PWP:dms10582\FN-01 (Redline).dgn

SHEET NUMBER

PARISH PROJECT

DESIGNED BY

CHECKED BY

DATE

REVISION DESCRIPTION

DATE

APPROVED BY

CHIEF ENGINEER

DATE

BY

DATE

11/3/11

01-07-11

1 OF 1

STANDARD PLAN: FN-01

CHAIN LINK FENCE & GATES

4 FT., 5 FT., 6 FT. & 7 FT.

ROAD DESIGN